

Roll-Off Pup Trailer

SR & TR Series



A WASTE BUILT COMPANY

- Double your payload and increase efficiency, while reducing fuel costs.
- Four heavy duty hooks attached manually to the container's main rail and tightened with a turn buckle speed wheel.
- In dash electric controlled air lock.
- Two front winches with straps and one rear for additional tie down security.
- Premier pintle eye and hinge assemblies; springloaded ratcheted height adjustment.
- All sealed beam, truck controlled back-up lights.



The Galfab Advantage



Tarping System

The optional tarping system is durable, easy to control and secures debris in the container.



"The Hooker" Hold-On System

The optional hold-on system's proven design is the ultimate in container securement.



Tie Downs

The front and rear tie downs and ratchet bar are easily accessible.



Spring Assisted Tongue

Lifting the spring assisted tongue is easy with the built-in ratchet system.

Standard Features

- Four Heavy Duty Tiedowns
- Two Front Winches
- Spring Loaded Pintle Eye Tongue
- Back Up Lock
- Rubberized Fenders
- Grote Molded Wiring Harness
- Sealed Lighting System
- Black Paint

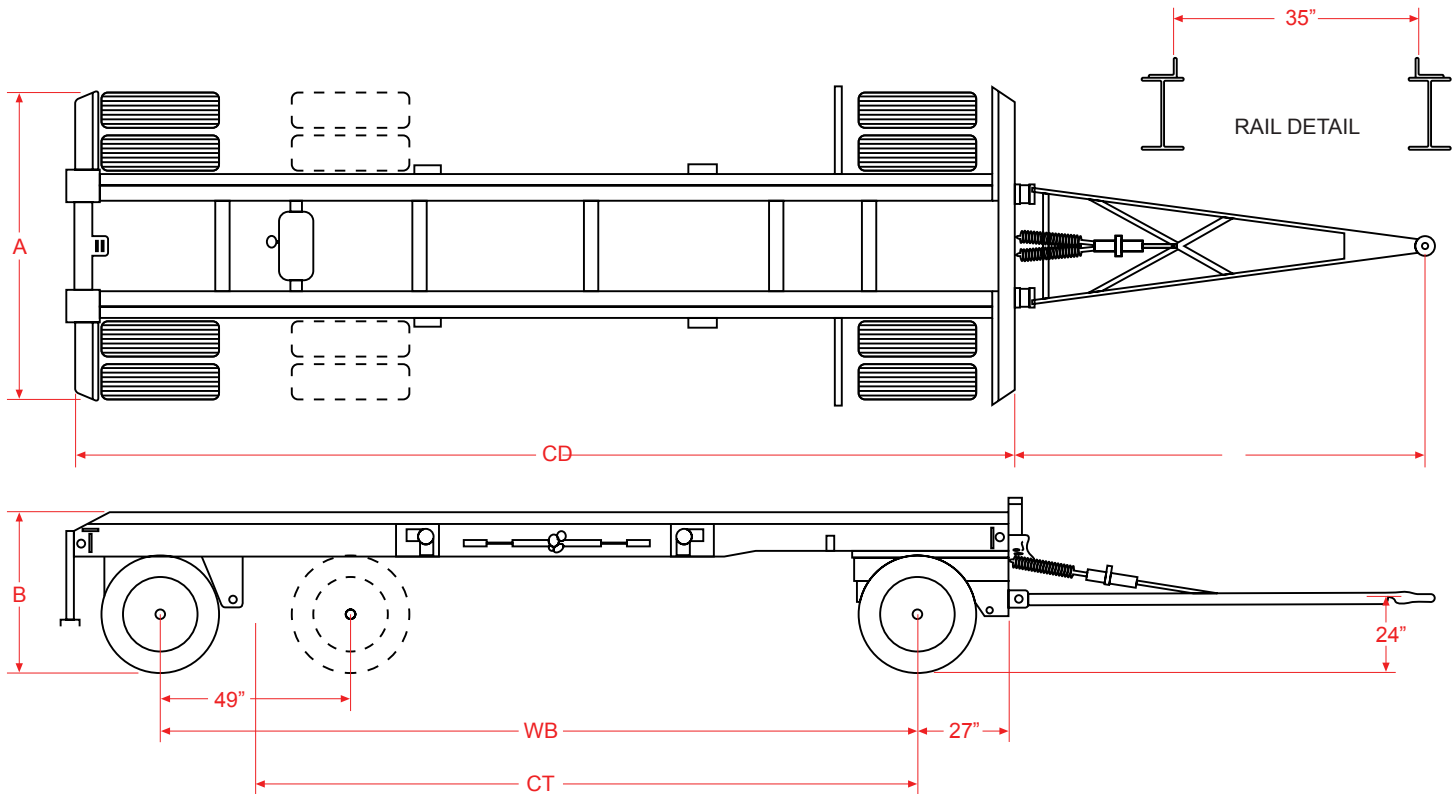
Options

- Air Ride Suspension
- Various Axle Combinations
- Various Wheel Types
- Automatic Tarping Systems
- "The Hooker" Hold-On System
- Other Paint Colors

DISTRIBUTED BY:

Roll-Off Pup Trailer

SR & TR Series



Model	A	B	C	D	GVWR (lbs)	Containers	WB	Front Axle Weight (lbs)	Rear Axle Weight (lbs)	CT
SR 2240	96"	44"	269"	102"	40,000#	Up To 22'	214"	2925#	3925#	----
SR 2440	96"	44"	281"	102"	40,000#	Up To 24'	226"	3000#	4000#	----
TR 2450	96"	44"	281"	120"	50,000#	Up To 24'	226"	3800#	4800#	201 1/2"

CAUTION: This Equipment Should be Operated by Properly Trained Personnel. Improper Use, Misuse or Lack of Maintenance Could Cause Injury to Persons or Property. Photos used in this brochure are illustrative only. We reserve the right to make changes at any time without notice. Information contained within this literature is believed to be the most accurate available at the time of printing.

Additional Features



Easy Loading



Secure Side Tie Downs



Maximum Hauling Capability