



SELF CONTAINED COMPACTOR

MODEL KP6F

Attractively Blends Into Its Surroundings

K-PAC Equipment, a division of Scranton Corporations has established itself as a leader in innovation and dependability in the waste equipment industry. From engineering to production, K-PAC is committed to providing top quality equipment and service.

K-PAC's neat, clean appearance, in both the rear and front loading model, blends attractively with its surroundings.

K-PAC's low 40" loading height allows even the most petite person can easily use the compactor. Close the lid, insert the key in the Power Pack console, and start the powerful hydraulic system. The packing blade will automatically cycle. Safety features unique to K-PAC are built into the design to prevent the compaction cycle from operating while the loading chamber is open.

Another safety feature is the "Mushroom Stop" button on the Power Pack console, which will immediately stop operation at any point during the cycle. K-PAC's key-operated system also allows the charge lid to be locked for controlled access and safety.



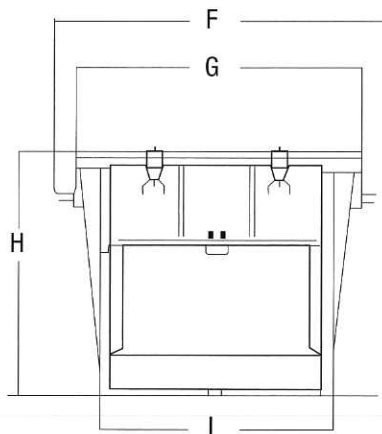
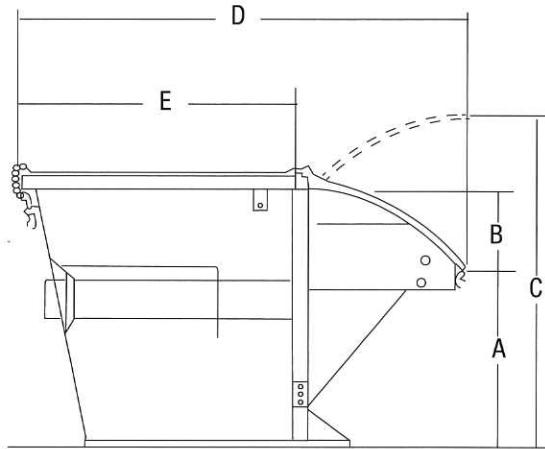
Features Include:

- **Compact Weather Proof 3 Phase** and/or Single Phase Power Unit (UL Approved).
- **Loading Chamber Lid** is spring assisted for ease of opening.
- **Latching System** lid hold down latches for quick driver release when dumping.



Self-Contained Compactor Model KP6F

KP6F Dimensions



KP6F Specifications

Manufacturer's Rating	1.00 y ³
Ram Face	53"W x 46"H
Clear Top Opening	27.5" x 53.5"
Loading Height	40"
Ram Penetration	13"
Packing Force Normal	21,900 lbs
Packing Force Max.	24,700 lbs
Packing Pressure Normal	1,550 PSI
Packing Pressure Max.	1,750 PSI
Container Capacity	6 y ³
Overall Dimensions	140" L x 78"W x 61"H

Standard Power Pack

Power Pack Cover	Protective Metal Cover with Hydraulic Hose Storage Slot
Power Pack	3 HP 1750 RPM TEFC
Control Panel	208/230/460 Volts 3 Phase 60 Hertz, Key Start Switch & Stop Buttons
Hydraulic Pump	5 GPM Hi-Lo with 200 Mesh Screen Suction Filter
Reservoir	13 Gallons
Fluid	Northland Talmar Extreme ISO 32
Hydraulic Hoses	12" with Quick Hydraulic Couplers Industrial Hydraulic Couplers
Cylinders	2 - 3" x 16"

Cycle Time

Time	26 Seconds
------	------------

MODEL	CAPACITY	A	B	C	D	E	F	G	H	I	WEIGHT ¹
KP6F	6 y ³	40"	18"	75"	102	63"	82"	75"	62"	60"	2,280 lbs

¹ Approximate Shipping Weight with Power Pack

AUTHORIZED DEALER



Ask about our Rear Loader Self-Contained Compactor KP6R



A division of **NEW WAY** for more product information visit us online at newwaytrucks.com