

APARTMENT COMPACTOR C-33X-APT



Tel: 877-468-9278 | sales@wastequip.com
www.wastequip.com

The Apartment Compactor offers powerful compaction for small spaces.

The C-33X-APT Apartment Compactor is designed to fit into tight trash rooms of high-rise buildings and apartment complexes where space is a commodity. It features a crossed cylinder mini design with totally automatic operation. Save money with the Apartment Compactor by minimizing the overall cost, pick-up frequency, and labor hours associated with standard containers.



Compactor allows side feed, rear feed or chute feed.
Shown without compaction container.
Containers available in 2 and 3 cubic yard sizes.

Value-Added Benefits

Space maximizing design

- Designed to be small and powerful and fit into trash rooms with limited space
- Model is one half-foot shorter than the leading competitor; at only 38-1/2" long, it saves valuable work space

Standard features included at no additional charge

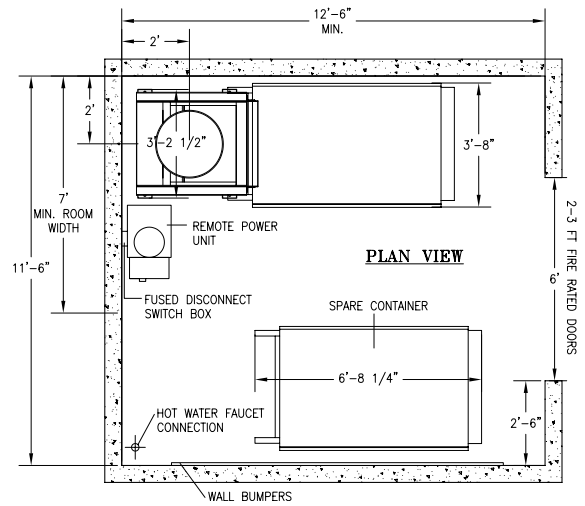
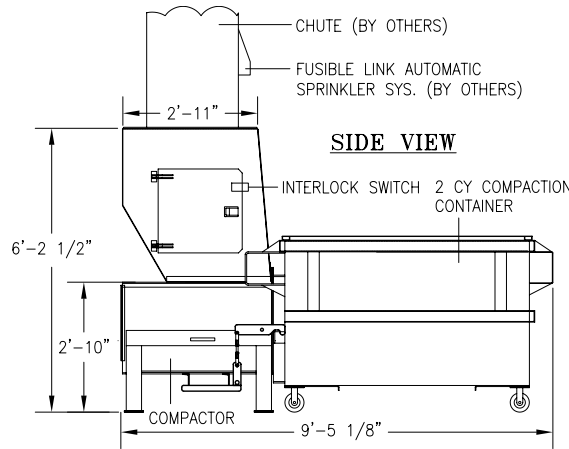
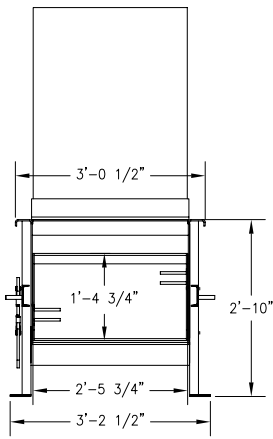
- Automatic cycle operation
 - Photo electric eye senses trash and starts compaction into container
 - Automatically shuts off after cycle
 - Full container light on panel illuminates when compactor is full
- Ground-loading access door
- Easy-to-use single-side attachment is ideal for tight spaces
- 6" of ram penetration results in less spillage and cleanup as compared to other 4" penetration models
- Powerful 5 hp motor
- NEMA 4 control panel protects against windblown dust, splashing water and hose-directed water (superior to NEMA 3 models)
- Large, clear top opening accommodates bulky items

Warranty

- 3-1-1 warranty (three-year structural, one-year parts, and one-year labor warranty)



APARTMENT COMPACTOR C-33X-APT



Specifications

Charge Box

- Wastequip rating - 0.33 cubic yards
- Wastec rating - 0.23 cubic yards
- Charge box width - 29.75"
- Charge box length - 22.00"

RAM

- Height - 16.75"
- Ram penetration - 6.00"
- Face plate - 1/2"
- Base plate - 3/8"
- Top plate - 3/8"
- Side plates - 1/4"

Weight

- Compactor - 1,480 lbs.
- 2-Yard Container - 700 lbs.
- 3-Yard Container - 800 lbs.

Hydraulic Performance

- Normal ram face pressure - 28.8 psi
- Maximum ram face pressure - 33.9 psi
- Normal packing pressure - 1,700 psi
- Maximum packing pressure - 2,000 psi
- Normal packing force - 14,350 lbs
- Maximum packing force - 16,800 lbs

Compactor Head

- Floor - 3/8"
- Steel sides - 1/4" with 4" reinforcing channel stiffeners
- Top rail - 1/4" formed steel cross member adds stiffness
- Bottom rail - 1/4" formed channel cross member for stiffness
- Breaker bar - 4 x 4 x 1/2" angle steel
- Top deck cover - formed 1/4" steel for strength (cover is standard)

Electrical

- Electric motor - 5 hp
- Motor RPM - 1,800
- Voltage - 208/230/460, 3 phase, 60 HZ
- Options - 575 volts
- Housing type - TEFC (Totally Enclosed Fan Cooled)
- Control circuit - 24V
- Control panel - UL Rated

Hydraulic Specifications

- Pump - 4.7 gpm
- Cycle time - 18 seconds
- Hydraulic cylinder - Two, scissor style
- Cylinder bore - 2.5"
- Cylinder rod - 1.375"
- Cylinder stroke - 20.00"
- Hydraulic oil tank - 13-gallon reservoir
- Power unit location - Remote



Replacement parts available online at www.partsplace-inc.com

Standard Color Choices*



* Colors shown are as accurate as printing allows. The actual color is subject to variation from the printed color sample. Color choices vary by plant location. Please contact your local sales representative for available colors. Custom colors are available upon request and are subject to an additional charge.



Tel: 877.468.9278 | sales@wastequip.com | www.wastequip.com

Wastequip is the leading North American manufacturer of waste and recycling equipment for collecting, processing and transporting recyclables and solid or liquid waste. March 2014 © Wastequip, all rights reserved. Specifications subject to improvement without notice. Equipment displayed should be operated by properly trained personnel. Operators should become familiar with OSHA, ANSI and any other applicable standards or laws for using this equipment. Improper use, misuse, or lack of maintenance could cause injury to people and/or property. Photos used in the literature are illustrative only. We assume no liability or responsibility for proper training/operation of equipment not manufactured by Wastequip. We reserve the right to make changes at any time without notice. Information contained within this literature is intended to be the most accurate available at time of printing.

WQP007-052014