



Compactor Specifications



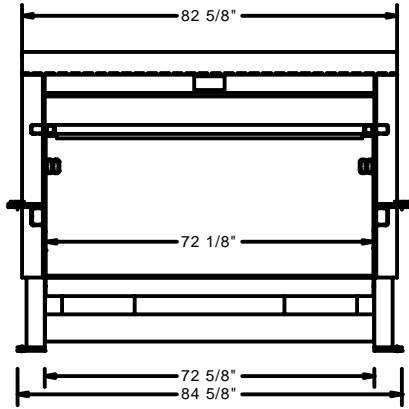
GP550 5 Cubic Yard Capacity Stationary Compactor

| MODEL NUMBER | | GP550 |
|--------------------------|--------------|---------------------|
| WASTEC Rating Size | | 4.19 cu. yd. |
| Clear Top Opening - | Length | 87" |
| | Width | 68" |
| Ram Penetration | | 24" |
| Chamber Length | | 90-1/2" |
| Ram Face - | Height | 30" |
| | Width | 72" |
| Cylinder Stroke | | 116" |
| Cylinder Bore | | 6" |
| Cylinder Rod Diameter | | 4-1/2" |
| Discharge Opening - | Height | 44-1/2" |
| | Width | 73-1/2" |
| Ground Height | | 24-1/2" |
| Scale Weight | Approx. | 8,000 lbs. |
| Cycle Time | | 65.5 sec. |
| Pump Size | | 13 GPM |
| Motor Size | | 15 HP |
| Operating Pressure - | Normal | 1950 PSI |
| | Maximum | 2250 PSI |
| Force Rating - | Normal | 25.5/55,100 |
| | Maximum | 29.4/63,600 |
| Chamber Sides | | 1/4" Plate |
| Chamber Floor | | 1/2" AR Plate |
| Ram Top | | 1/4" Plate |
| Ram Sides | | 1/4" Plate |
| Ram Floor | | 1/4" Plate |
| Ram Face | | 1/2" Plate |
| Top Cover | Smooth Plate | 12 Ga. |
| Volume Displacement Rate | | 230 cu. yd. per hr. |

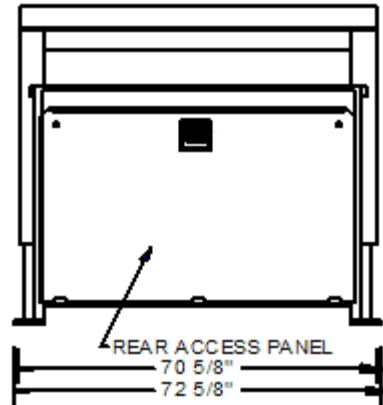
| STANDARD FEATURES |
|--|
| <ul style="list-style-type: none"> • Solid State Control System • External Power Plant with Weather Cover • NEMA 4 UL & Canadian UL Listed Industrial Control Panel • 15 HP, 208/230/460 Volt, 3 Phase Continuous Duty Motor • 37 Gallon Capacity Oil Tank • 40 Micron Air Filter • 200 Mesh Suction Filter in Reservoir • Oil Level Sight Gauge with Thermometer • 40 GPM Regenerative Hydraulic Control Valve • 3/4 Full Light (1550 PSI) • Container Full Light (1950 PSI) • Hold to Operate Mode • Hold to Operate Extend/Auto Retract Mode • 2 - 8 Multicycle Modes • Ram Stop Extended Mode • Operator's Controls on 15' Flexible Conduit • Claw Type Grab Hooks • Replaceable Nylon Ram Guides • 2 Year Limited Warranty |

| OPTIONAL FEATURES |
|---|
| <ul style="list-style-type: none"> • Internal Power Plant • Pressure Gauge • 500 Watt Oil Heater • Photoelectric Eye • Low Oil/High Temperature Shut Off Sensor • Interlock Switch On 30' Flexible Conduit • Hauler's Controls on 15' Flexible Conduit • Hoppers • Drive-On Deck • Chutes • 20 HP With 16 GPM Power Plant • Finish Paint Any Standard Wastequip Color |

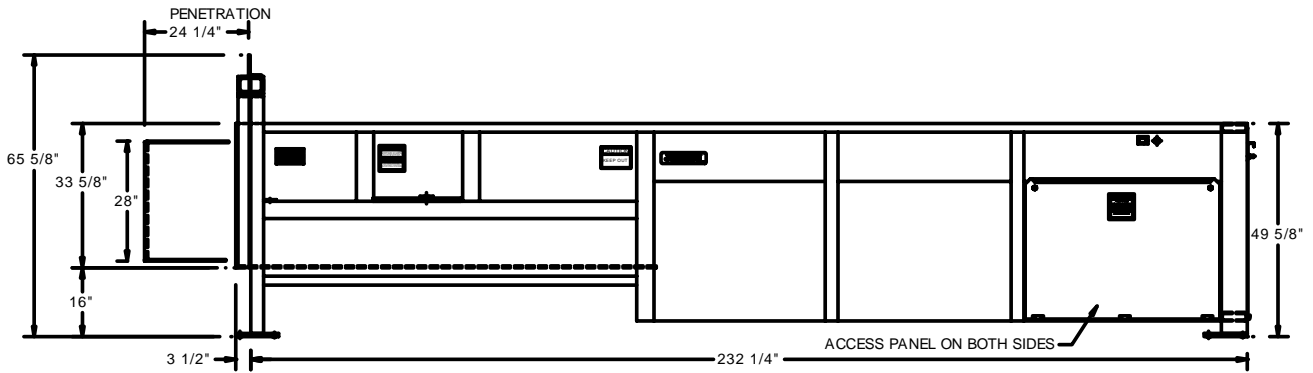
MODEL GP550
STATIONARY
COMPACTOR



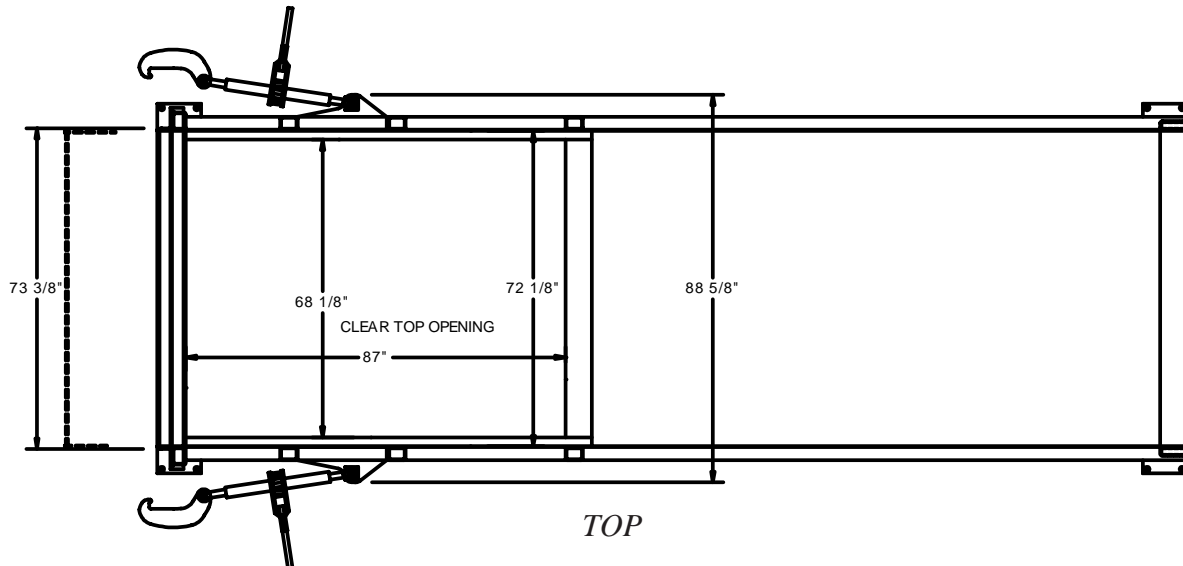
FRONT



REAR



SIDE



TOP